

7/8" x 1" Stainless Steel or Aluminum Top Cap
#4 Satin or #8 Mirror Finish
Attached to Glass w/Silicone

1/2" Tempered Clear Flat Glass
w/ Exposed Edges Polished

42" to F.F.
(N.T.S.)

Black Silicone
Caulk

18 GA. Cladding Stainless Steel
#4 Satin or #8 Mirror Finish

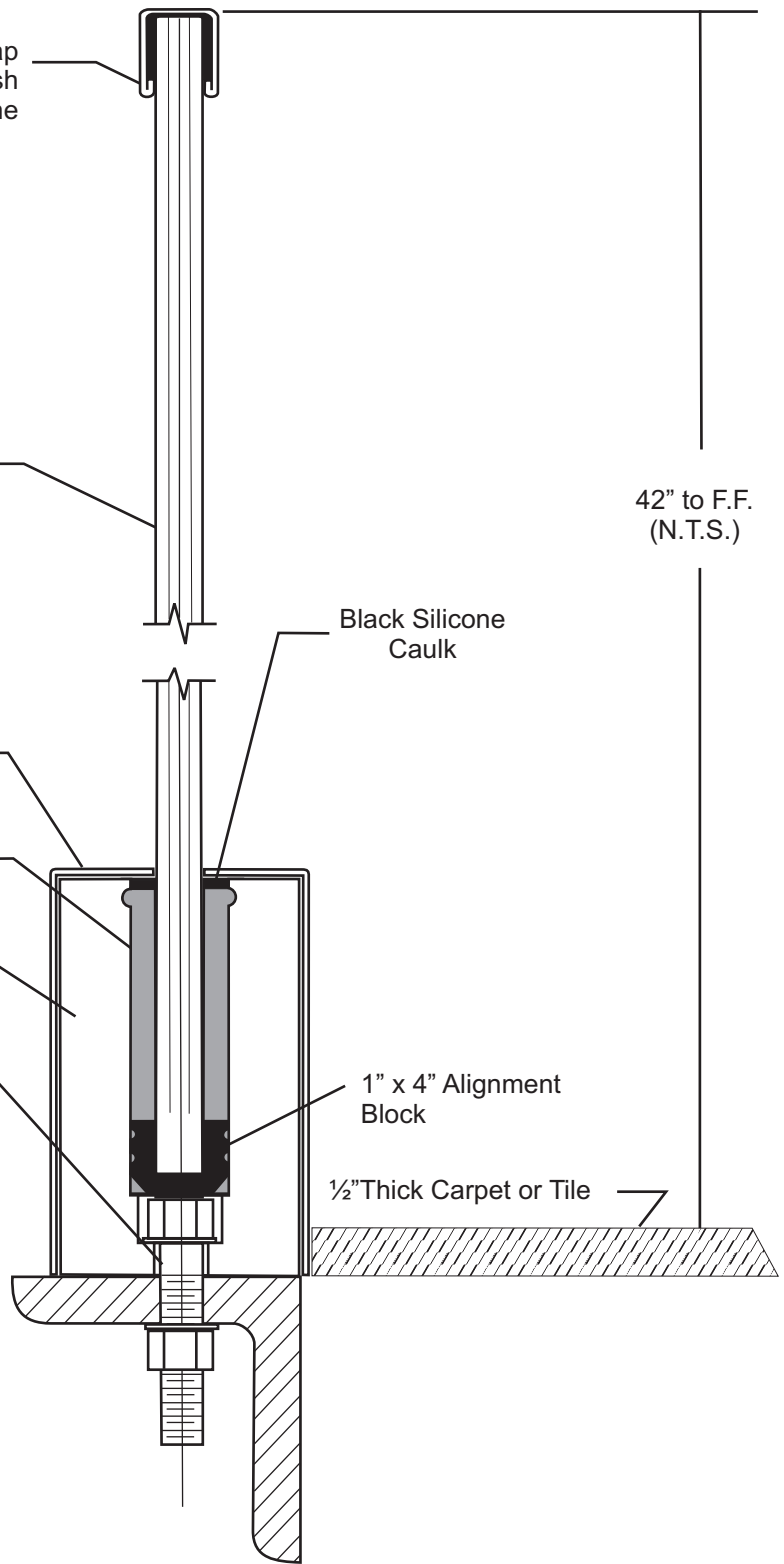
Rockite Cement

2 1/2" x 4 1/8"
Aluminum Base Channel

2 1/2" x 1/2" Dia. Socket Head Cap Screw
W/Lock Washer & Nut 24" O.C.

1" x 4" Alignment
Block

1/2" Thick Carpet or Tile



J.M. Gruca	485 Buford Drive Suite 208 Lawrenceville, Georgia 30045 770.682.1601 FAX 770.682.1661	
	7/8" x 1" Top Angle Mount	
Scale: NTS	Drwg. JGM - 1x1.5 top angle mnt	10/03/07