

7/8" x 1" Stainless Steel or Aluminum Top Cap  
#4 Satin or #8 Mirror Finish  
Attached to Glass w/Silicone

1/2" Tempered Clear Flat Glass  
w/ Exposed Edges Polished

1 1/2" Stainless Steel Handrail  
#4 Satin or #8 Mirror Finish

42" to F.F.  
(N.T.S.)

34" to F.F.  
(N.T.S.)

18 GA. Cladding Stainless Steel  
#4 Satin or #8 Mirror Finish

Black Silicone  
Caulk

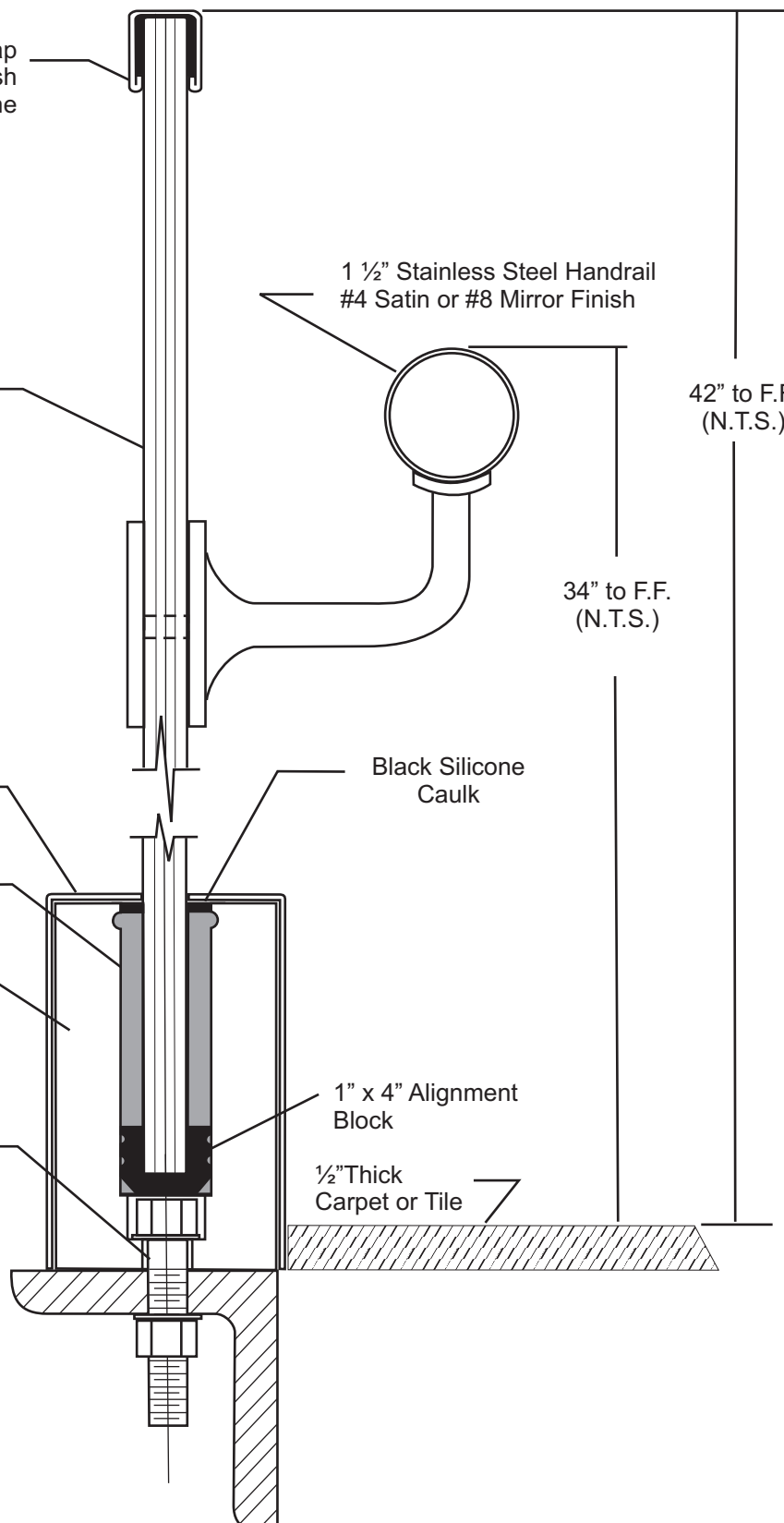
Rockite Cement

2 1/2" x 4 1/8"  
Aluminum Base Channel

1" x 4" Alignment  
Block

2 1/2" x 1/2" Dia. Socket Head Cap Screw  
W/Lock Washer & Nut 24" O.C.

1/2" Thick  
Carpet or Tile



**J.M. Gruca**

485 Buford Drive Suite 208  
Lawrenceville, Georgia 30045  
770.682.1601 FAX 770.682.1661

7/8" x 1" Top Cap with Handrail Angle Mount

Scale: NTS

Drwg. JGM - .875 x 1 top whndrail angle mnt

10/03/07