

1" x 1 1/2" Stainless Steel or Aluminum Top Cap
 #4 Satin or #8 Mirror Finish
 Attached to Glass w/Silicone

1 1/2" Stainless Steel Handrail
 #4 Satin or #8 Mirror Finish

1/2" Tempered Clear Flat Glass
 w/ Exposed Edges Polished

34" to F.F.
 (N.T.S.)

18 GA. Cladding Stainless Steel
 #4 Satin or #8 Mirror Finish

Black Silicone
 Caulk

42" to F.F.
 (N.T.S.)

Rockite Cement

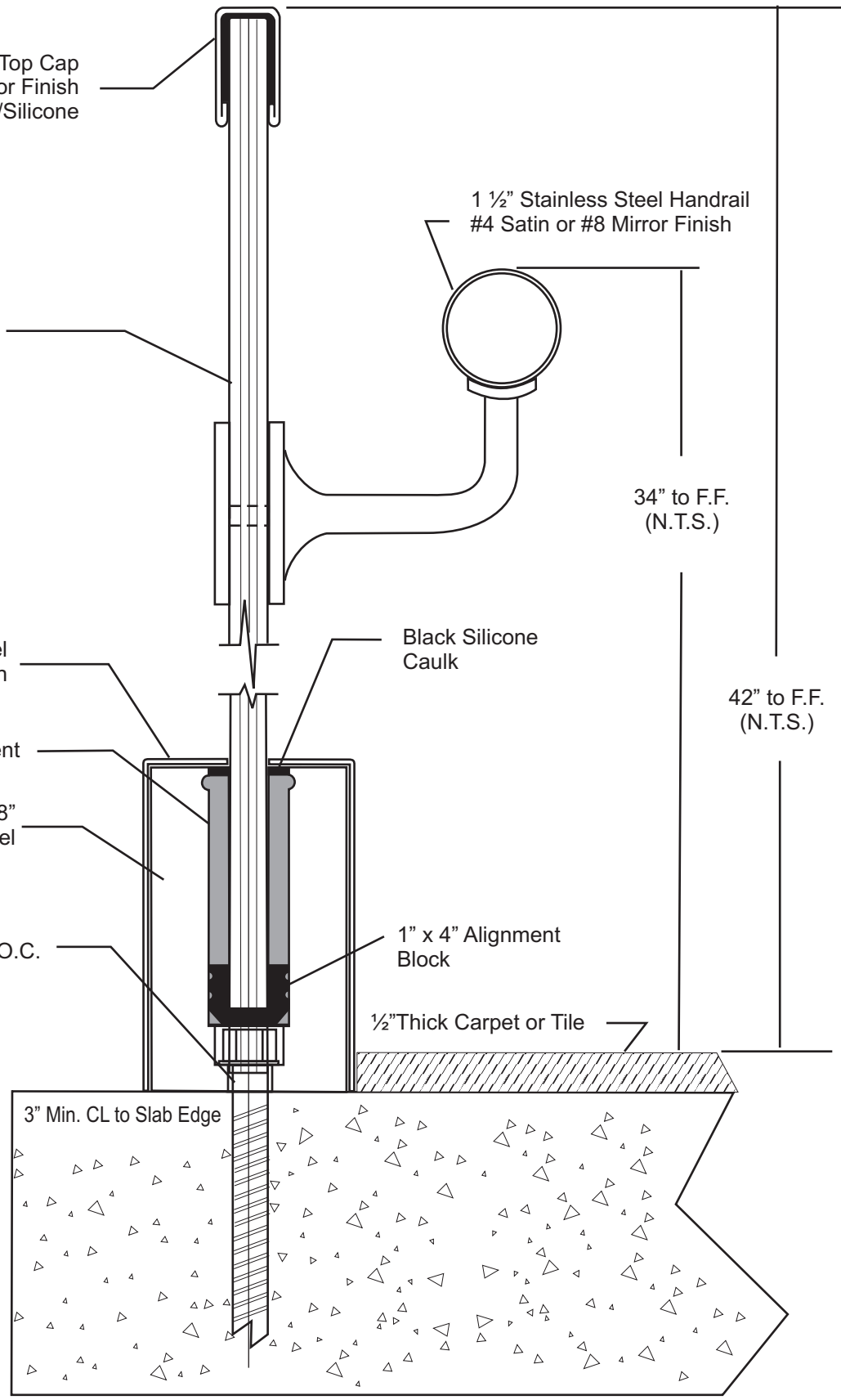
2 1/2" x 4 1/8"
 Aluminum Base Channel

3/8" x 4" Wedge Bolt Anchor @ 12" O.C.

1" x 4" Alignment
 Block

1/2" Thick Carpet or Tile

3" Min. CL to Slab Edge



J.M. Gruca

485 Buford Drive Suite 208
 Lawrenceville, Georgia 30045
 770.682.1601 FAX 770.682.1661

1" x 1 1/2" Top Cap with Handrail Concrete Mount

Scale: NTS

Drwg. JGM - 1 x 1.5 top w.hndri Concrete Mnt

10/03/07