

1" x 1 1/2" Stainless Steel or Aluminum Top Cap
#4 Satin or #8 Mirror Finish
Attached to Glass w/Silicone

1/2" Tempered Clear Flat Glass
w/ Exposed Edges Polished

1 1/2" Stainless Steel Handrail
#4 Satin or #8 Mirror Finish

42" to F.F.
(N.T.S.)

34" to F.F.
(N.T.S.)

18 GA. Cladding Stainless Steel
#4 Satin or #8 Mirror Finish

Black Silicone
Caulk

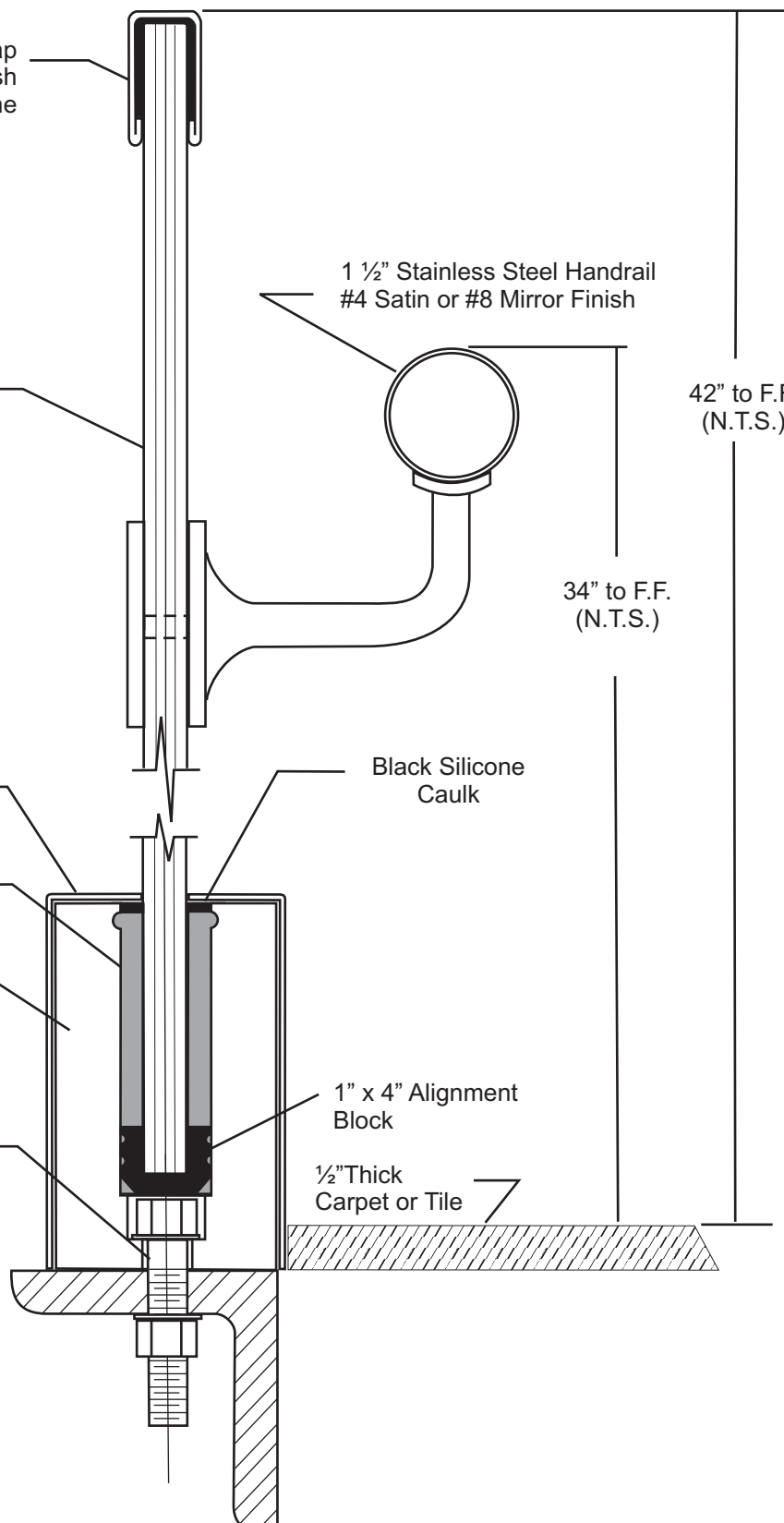
Rockite Cement

2 1/2" x 4 1/8"
Aluminum Base Channel

1" x 4" Alignment
Block

2 1/2" x 1/2" Dia. Socket Head Cap Screw
W/Lock Washer & Nut 24" O.C.

1/2" Thick
Carpet or Tile



J.M. Gruca

485 Buford Drive Suite 208
Lawrenceville, Georgia 30045
770.682.1601 FAX 770.682.1661

1" x 1 1/2" Top Cap and Handrail Angle Mount

Scale: NTS

Drwg. JGM - 1 x 1.5 top whndrail angle mnt

10/03/07