

2" Stainless Steel Top Cap
#4 Satin or #8 Mirror Finish

1/2" Tempered Clear Flat Glass
w/ Exposed Edges Polished

18 GA. Cladding Stainless Steel
#4 Satin or #8 Mirror Finish

Rockite Cement

2 1/2" x 4 1/8"
Aluminum Base Channel

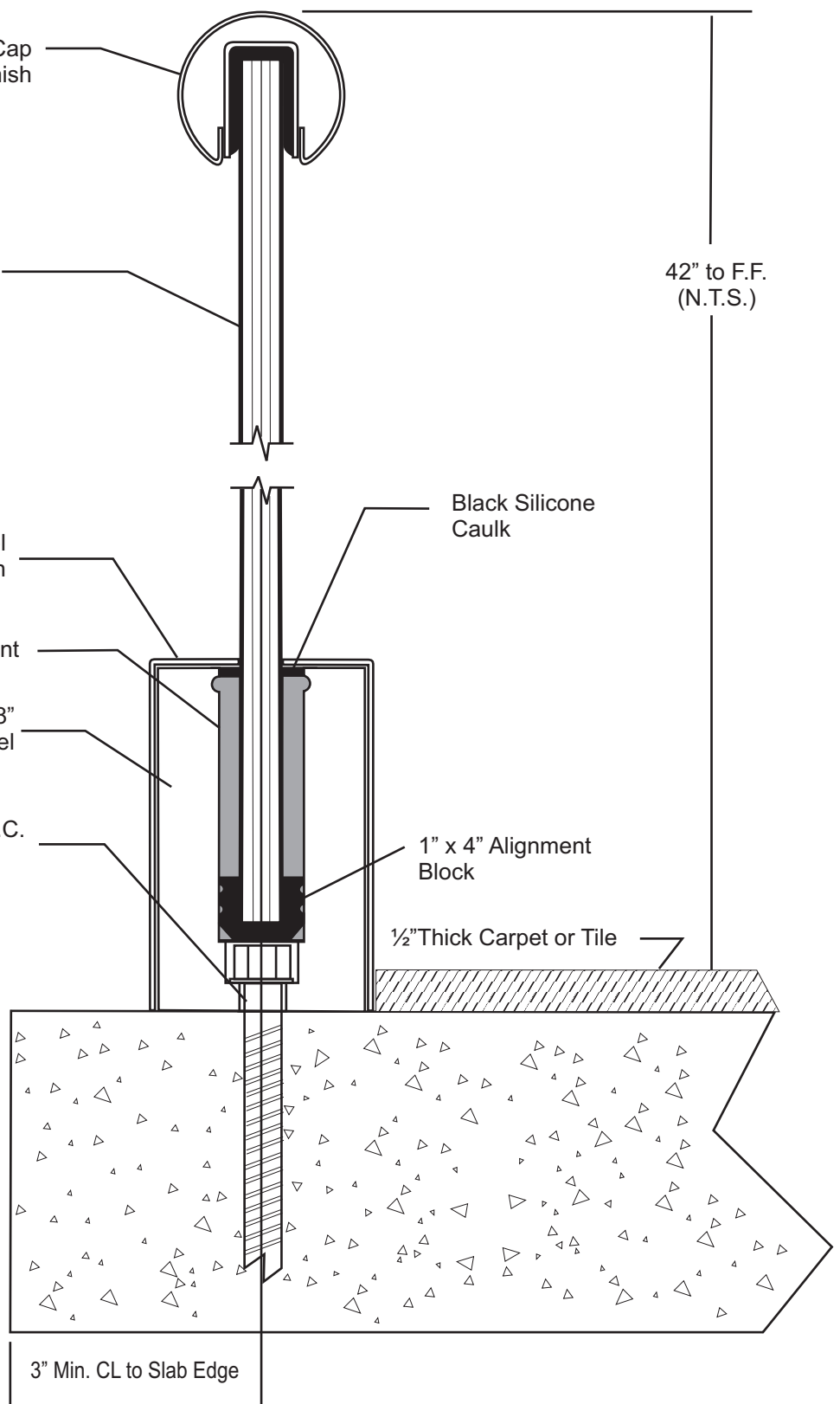
3/8" x 4" Wedge Bolt Anchor @ 12" O.C.

Black Silicone
Caulk

1" x 4" Alignment
Block

1/2" Thick Carpet or Tile

42" to F.F.
(N.T.S.)



3" Min. CL to Slab Edge

J.M. Gruca

485 Buford Drive Suite 208
Lawrenceville, Georgia 30045
770.682.1601 FAX 770.682.1661

2" Round S.S Handrail Concrete Mount

Scale: NTS

Drwg. JGM - 2.0 Round Concrete Mnt

10/03/07